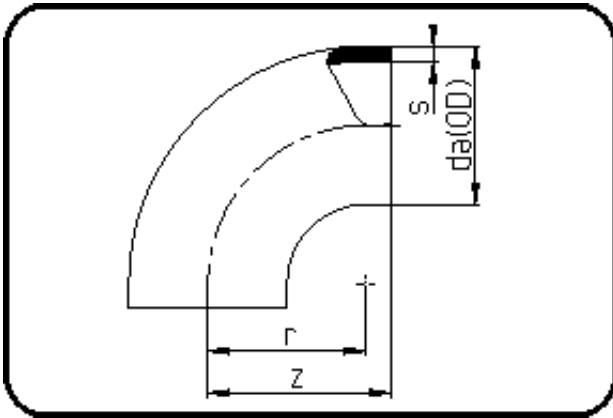


Fittings



Code: 001

- Bend 90°
- short spigot
- injection moulded
- **Butt + IR-welding**
- **PP Pure grey**

Dimension	Code	Detail	Weight
250	72.001.0250.11	250X22,7 SDR11 ISO S-5	7.35

	Unit	Nominale	Tol+	Tol-
da(OD)	mm	250	2.30	0.00
r	mm	265	0.00	0.00
s	mm	22,7	2.40	0.00
z	mm	290	6.00	6.00