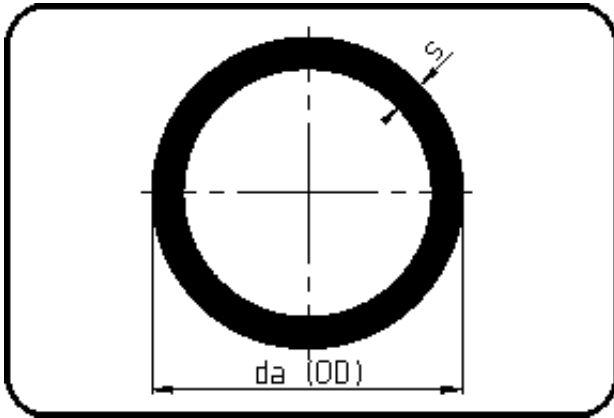


## Pipes



Code: 705

- Pipe 5m
- extruded
- AGRU-Vent PVDF

Dimension	Code	Detail	Weight
250	34.705.0250.00	250X3,0	4.48

	Unit	Nominale	Tol+	Tol-
da(OD)	mm	250	1.60	0.00
s	mm	3	0.60	0.00