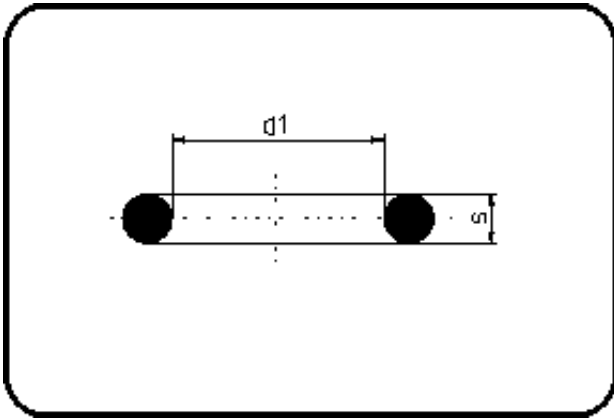


Fittings



Code: 380.1

- O-Ring Sealing FPM-FDA
- spare part Union 024
- FPM-FDA

Dimension	Code	Detail	Weight
90	88.380.1090.00	90 - 81,9X5,33	0.01

	Unit	Nominale	Tol+	Tol-
da(OD)	mm	90	0.00	0.00
s	mm	5,3	0.15	0.15
d1	mm	81,9	0.38	0.38