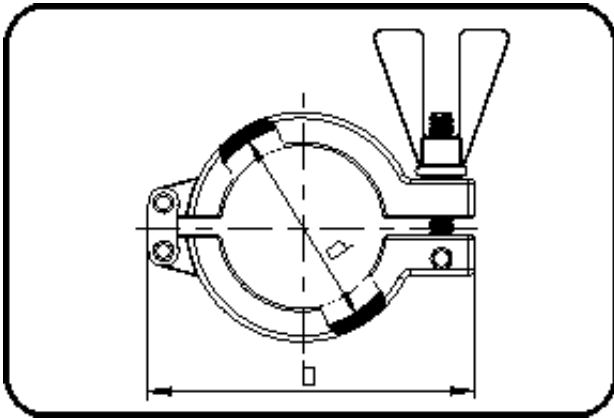


Backing Rings, Accessories



Code: 048

- Clamp f. San. Joint Fitting
- TWINCLAMP (2 shells)
- stainless steel 1.4408 HP

Dimension	Code	Detail	Weight
40/50	90.048.4050.21	40/50	0.34

	Unit	Nominale	Tol+	Tol-
da(OD)	mm	40	0.00	0.00
b	mm	107	0.00	0.00
d	mm	64	0.00	0.00