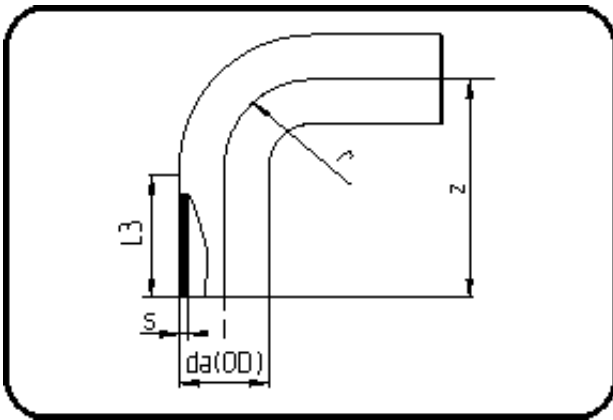


MULTI Fittings



Code: 068

- **MULTI-Bend 90°**
- long spigot
- injection moulded
- **Butt + IR-welding**
- **PP Pure grey**

Dimension	Code	Detail	Weight
160	72.068.0160.11	160X14,6 SDR11 ISO S-5	3.20

	Unit	Nominale	Tol+	Tol-
da(OD)	mm	160	1.50	0.00
L3	mm	100,5	4.50	4.50
r	mm	160	0.00	0.00
s	mm	14,6	1.60	0.00
z	mm	261,5	6.00	6.00