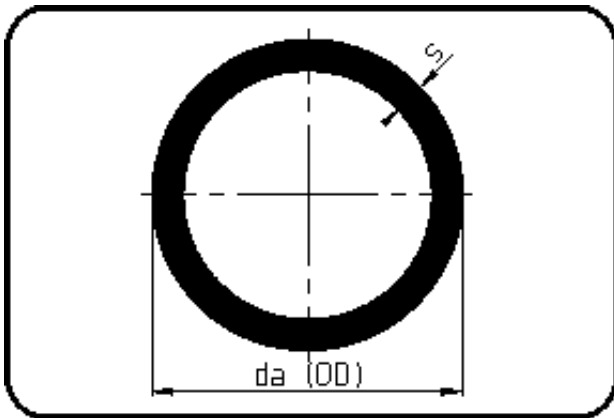


Pipes



Code: 705

- Pipe 5m
- extruded
- PP Pure grey

Dimension	Code	Detail	Weight
40	72.705.0040.11	40X3,7 SDR11 ISO S-5	0.41

	Unit	Nominale	Tol+	Tol-
da(OD)	mm	40	0.40	0.00
s	mm	3,7	0.50	0.00