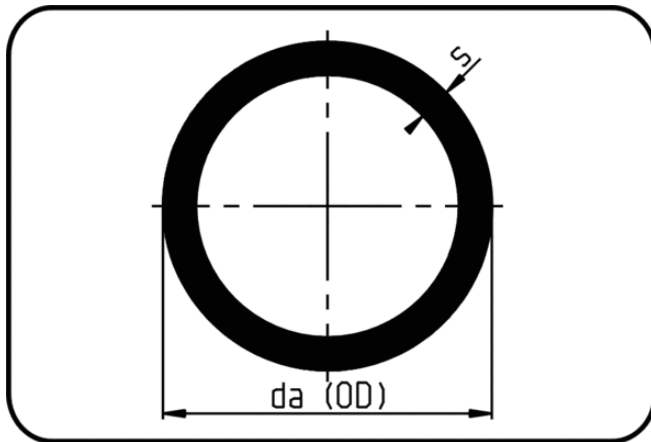


Pipes



Code: 705

- Pipe 5m
- extruded
- AGRU-Vent PVDF

Dimension	Code	Detail	da(OD) mm	s mm	Weight
110	34.705.0110.00	110X3,0	110	3	1.94
140	34.705.0140.00	140X3,0	140	3	2.49
160	34.705.0160.00	160X3,0	160	3	2.86
200	34.705.0200.00	200X3,0	200	3	3.58
250	34.705.0250.00	250X3,0	250	3	4.48
315	34.705.0315.00	315X4,0	315	4	7.47
355	34.705.0355.00	355X4,0	355	4	8.43
400	34.705.0400.00	400X5,0	400	5	11.81