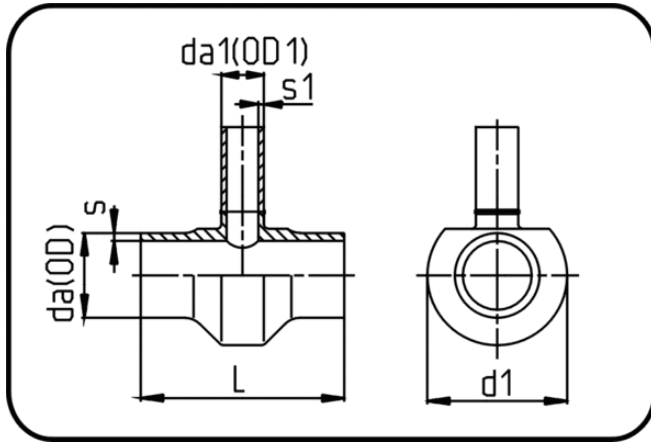


Fittings



Code: 307

- Tee reduced
- machined
- Butt + IR-welding
- PVDF UHP natural

Dimension	Code	Detail	da(OD) mm	da(OD1) mm	s mm	s1 mm	d1 mm	L mm	Weight
63/20	35.307.6320.21	63/20 SDR21 ISO S-10	63	20	3	1,9	85	120	0.39
63/25	35.307.6325.21	63/25 SDR21 ISO S-10	63	25	3	1,9	85	120	0.40
75/20	35.307.7520.21	75/20 SDR21 ISO S-10	75	20	3,6	1,9	105	140	0.63
75/25	35.307.7525.21	75/25 SDR21 ISO S-10	75	25	3,6	1,9	105	120	0.65
75/32	35.307.7532.21	75/32 SDR21 ISO S-10	75	32	3,6	2,4	85	140	0.38
90/75	35.307.9075.21	90/75 SDR21 ISO S-10	90	75	4,3	3,6	130	230	1.61
110/75	35.307.1175.21	110/75 SDR21 ISO S-10	110	75	5,3	3,6	150	230	2.12
140/20	35.307.1420.21	140/20 SDR21 ISO S-10	140	20	6,7	1,9	157	158	1.40
140/25	35.307.1425.21	140/25 SDR21 ISO S-10	140	25	6,7	1,9	157	158	1.20
140/32	35.307.1432.21	140/32 SDR21 ISO S-10	140	32	6,7	2,4	157	158	1.44
140/40	35.307.1440.21	140/40 SDR21 ISO S-10	140	40	6,7	2,4	150	210	1.61
140/50	35.307.1450.21	140/50 SDR21 ISO S-10	140	50	6,7	3	150	210	1.65
140/63	35.307.1463.21	140/63 SDR21 ISO S-10	140	63	6,7	3	150	210	1.66
140/90	35.307.1490.21	140/90 SDR21 ISO S-10	140	90	6,7	4,3	178	230	2.99
140/110	35.307.1411.21	140/110 SDR21 ISO S-10	140	110	6,7	5,3	178	230	3.02
160/20	35.307.1620.21	160/20 SDR21 ISO S-10	160	20	7,7	1,9	178	158	1.73
160/25	35.307.1625.21	160/25 SDR21 ISO S-10	160	25	7,7	1,9	178	158	1.85
160/32	35.307.1632.21	160/32 SDR21 ISO S-10	160	32	7,7	2,4	178	158	1.84
160/40	35.307.1640.21	160/40 SDR21 ISO S-10	160	40	7,7	2,4	170	210	2.02
160/50	35.307.1650.21	160/50 SDR21 ISO S-10	160	50	7,7	3	170	210	2.01
160/63	35.307.1663.21	160/63 SDR21 ISO S-10	160	63	7,7	3	170	210	2.01
160/75	35.307.1675.21	160/75 SDR21 ISO S-10	160	75	7,7	3,6	200	210	3.25
225/20	35.307.2220.21	225/20 SDR21 ISO S-10	225	20	10,8	1,9	250	130	2.55
225/40	35.307.2240.21	225/40 SDR21 ISO S-10	225	40	10,8	2,4	246	130	2.60
225/63	35.307.2263.21	225/63 SDR21 ISO S-10	225	63	10,8	3	250	210	4.09
225/75	35.307.2275.21	225/75 SDR21 ISO S-10	225	75	10,8	3,6	260	230	5.24
225/90	35.307.2290.21	225/90 SDR21 ISO S-10	225	90	10,8	4,3	265	230	5.99
225/110	35.307.2211.21	225/110 SDR21 ISO S-10	225	110	10,8	5,3	278	280	6.66

Dimension	Code	Detail	da(OD) mm	da(OD1) mm	s mm	s1 mm	d1 mm	L mm	Weight
225/140	35.307.2214.21	225/140 SDR21 ISO S-10	225	140	10,8	6,7	265	280	7.51
225/160	35.307.2216.21	225/160 SDR21 ISO S-10	225	160	10,8	7,7	275	280	8.60
90/20	35.307.9020.31	90/20 SDR33/21 MOP 10 bar	90	20	2,8	1,9	105	149	0.52
90/25	35.307.9025.31	90/25 SDR33/21 MOP 10 bar	90	25	2,8	1,9	105	149	0.36
90/32	35.307.9032.31	90/32 SDR33/21 MOP 10 bar	90	32	2,8	2,4	105	149	0.37
110/20	35.307.1120.31	110/20 SDR33/21 MOP 10 bar	110	20	3,4	1,9	124	150	0.62
110/25	35.307.1125.31	110/25 SDR33/21 MOP 10 bar	110	25	3,4	1,9	124	150	0.53
110/32	35.307.1132.31	110/32 SDR33/21 MOP 10 bar	110	32	3,4	2,4	124	150	0.68
140/20	35.307.1420.31	140/20 SDR33/21 MOP 10 bar	140	20	4,3	1,9	157	158	1.10
140/25	35.307.1425.31	140/25 SDR33/21 MOP 10 bar	140	25	4,3	1,9	157	158	0.85
140/32	35.307.1432.31	140/32 SDR33/21 MOP 10 bar	140	32	4,3	2,4	157	158	0.86
140/63	35.307.1463.31	140/63 SDR33/21 MOP 10 bar	140	63	4,3	3	150	210	1.66
160/20	35.307.1620.31	160/20 SDR33/21 MOP 10 bar	160	20	4,9	1,9	178	158	1.45
160/25	35.307.1625.31	160/25 SDR33/21 MOP 10 bar	160	25	4,9	1,9	178	158	1.49
160/32	35.307.1632.31	160/32 SDR33/21 MOP 10 bar	160	32	4,9	2,4	178	158	1.49
225/140	35.307.2214.33	225/140 SDR33 ISO S-16	225	140	6,9	4,3	265	280	5.87
225/160	35.307.2216.33	225/160 SDR33 ISO S-16	225	160	6,9	4,9	275	280	6.88