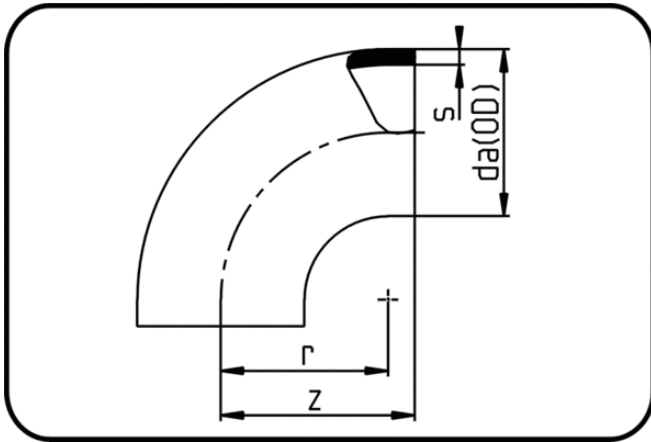


## Fittings



Code: 001

- **Bend 90°**
- short spigot
- injection moulded
- **Butt + IR-welding**
- **PVDF UHP natural**

Dimension	Code	Detail	da(OD) mm	s mm	z mm	r mm	Weight
125	35.001.0125.33	125X3,9 SDR33 ISO S-16	125	3,9	135	125	0.69
180	35.001.0180.33	180X5,5 SDR33 ISO S-16	180	5,5	200	175	1.89
200	35.001.0200.33	200X6,2 SDR33 ISO S-16	200	6,2	217	196	2.73
250	35.001.0250.33	250X7,7 SDR33 ISO S-16	250	7,7	287	250	5.37
280	35.001.0280.33	280X8,6 SDR33 ISO S-16	280	8,6	288	280	6.82
315	35.001.0315.33	315X9,7 SDR33 ISO S-16	315	9,7	338	300	9.81
125	35.001.0125.21	125X6,0 SDR21 ISO S-10	125	6	135	125	0.98
180	35.001.0180.21	180X8,6 SDR21 ISO S-10	180	8,6	200	175	2.88
200	35.001.0200.21	200X9,6 SDR21 ISO S-10	200	9,6	217	196	3.81
250	35.001.0250.21	250X11,9 SDR21 ISO S-10	250	11,9	287	255	7.92
280	35.001.0280.21	280X13,4 SDR21 ISO S-10	280	13,4	288	260	10.10
315	35.001.0315.21	315X15,0 SDR21 ISO S-10	315	15	338	300	14.51