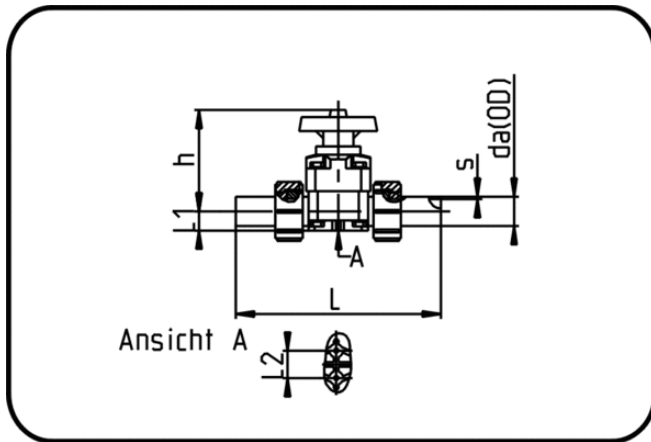


## Valves



Code: 340

- Diaphragm Valve
- manually controlled
- EPDM/PTFE diaphragm
- Union Connection
- PP Pure grey

Dimension	Code	Detail	da(OD) mm	s mm	L mm	L1 mm	L2 mm	h mm	Weight
20	72.340.0020.11	20 - SDR11 - MOP 10 bar	20	1,9	198	16,5	24,5	100	0.52
25	72.340.0025.11	25 - SDR11 - MOP 10 bar	25	2,3	222	16,5	24,5	100	0.50
32	72.340.0032.11	32 - SDR11 - MOP 10 bar	32	2,9	236	20,5	24,5	107	0.80
40	72.340.0040.11	40 - SDR11 - MOP 10 bar	40	3,7	260	25,5	44	144	1.63
50	72.340.0050.11	50 - SDR11 - MOP 10 bar	50	4,6	286	32	44	144	1.54
63	72.340.0063.11	63 - SDR11 - MOP 10 bar	63	5,8	322	38,5	44	170	2.77