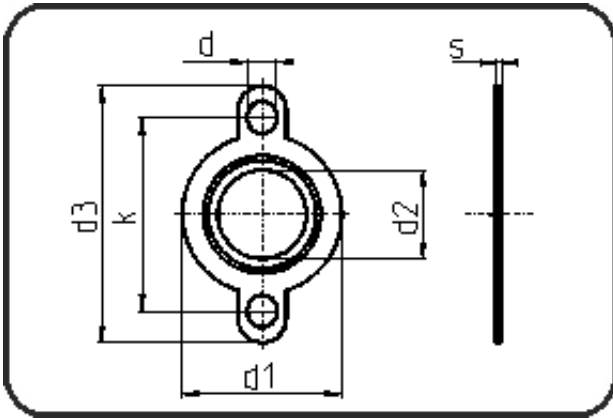


Seal Clean Gaskets



Code: 372.4

- Seal Clean Gasket
- ANSI
- for AGRU PVDF flanges
- Flange connection
- ePTFE white

| Dimension | Code | Detail | Weight |
|-----------|----------------|------------------|--------|
| 160 | 88.372.4160.21 | 160 - SDR21 ANSI | 0.05 |

| | Unit | Nominale | Tol+ | Tol- |
|----|------|----------|------|------|
| s | mm | 3 | 0.50 | 0.50 |
| d | mm | 22 | 1.00 | 0.00 |
| d1 | mm | 212 | 1.50 | 1.50 |
| d3 | mm | 279,3 | 1.50 | 1.50 |
| d2 | mm | 143 | 1.00 | 1.00 |
| k | mm | 241,3 | 1.00 | 1.00 |