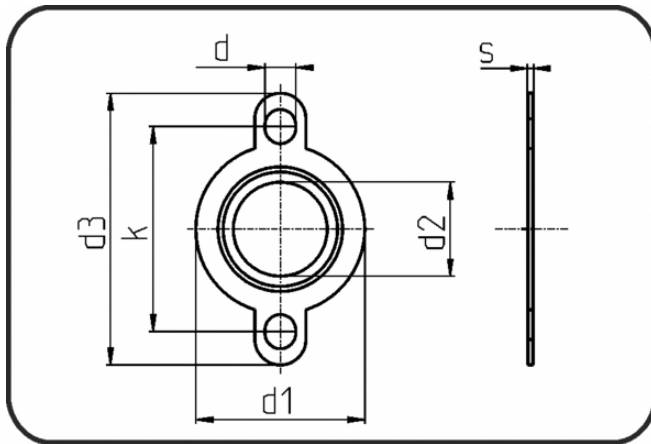


Seal Clean Gaskets



Code: 372.5

- Seal Clean Gasket
- JIS
- for AGRU PE/PP flanges
- Flange connection
- ePTFE white

| Dimension | Code | Detail | d1 mm | d2 mm | k mm | d3 mm | d mm | s mm | Weight |
|-----------|----------------|-----------------|----------|----------|---------|----------|---------|---------|--------|
| 20 | 88.372.5020.11 | 20 - SDR11 JIS | 45 | 14,7 | 70 | 96 | 14 | 3 | 0.01 |
| 25 | 88.372.5025.11 | 25 - SDR11 JIS | 58 | 20 | 75 | 101 | 14 | 3 | 0.01 |
| 32 | 88.372.5032.11 | 32 - SDR11 JIS | 68 | 25,3 | 90 | 122 | 18 | 3 | 0.01 |
| 40 | 88.372.5040.11 | 40 - SDR11 JIS | 78 | 31,3 | 100 | 132 | 18 | 3 | 0.01 |
| 50 | 88.372.5050.11 | 50 - SDR11 JIS | 84 | 39,9 | 105 | 137 | 18 | 3 | 0.01 |
| 63 | 88.372.5063.11 | 63 - SDR11 JIS | 99 | 50,2 | 120 | 152 | 18 | 3 | 0.01 |
| 75 | 88.372.5075.11 | 75 - SDR11 JIS | 119 | 60,5 | 139 | 171 | 18 | 3 | 0.02 |
| 90 | 88.372.5090.11 | 90 - SDR11 JIS | 129 | 73,1 | 150 | 182 | 18 | 3 | 0.03 |
| 110 | 88.372.5110.11 | 110 - SDR11 JIS | 154 | 88,9 | 175 | 207 | 18 | 3 | 0.04 |
| 125 | 88.372.5125.11 | 125 - SDR11 JIS | 154 | 102,4 | 175 | 207 | 18 | 3 | 0.02 |
| 140 | 88.372.5140.11 | 140 - SDR11 JIS | 185 | 114,1 | 210 | 248 | 22 | 3 | 0.03 |
| 160 | 88.372.5160.11 | 160 - SDR11 JIS | 212 | 129,8 | 240 | 278 | 22 | 3 | 0.04 |
| 200 | 88.372.5200.11 | 200 - SDR11 JIS | 265 | 162,5 | 290 | 328 | 22 | 3 | 0.07 |
| 225 | 88.372.5225.11 | 225 - SDR11 JIS | 265 | 184,3 | 290 | 328 | 22 | 3 | 0.06 |
| 250 | 88.372.5250.11 | 250 - SDR11 JIS | 320 | 201,7 | 355 | 397 | 24 | 3 | 0.09 |
| 280 | 88.372.5280.11 | 280 - SDR11 JIS | 320 | 226,5 | 355 | 397 | 24 | 3 | 0.08 |