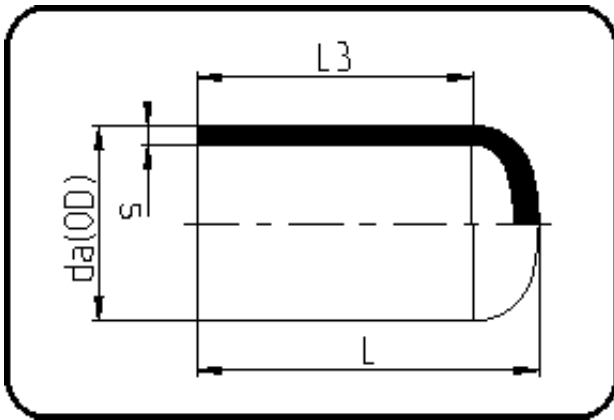


## Fittings



Code: 064

- End Cap
- long spigot
- injection moulded
- **Butt + IR + HPF-welding**
- **PVDF UHP natural**

Dimension	Code	Detail	Weight
32	35.064.0032.21	32X2,4 SDR21 ISO S-10	0.02

	Unit	Nominale	Tol+	Tol-
da(OD)	mm	32	0.30	0.00
L	mm	52	1.50	1.50
L3	mm	42	1.50	1.50
s	mm	2,4	0.50	0.00