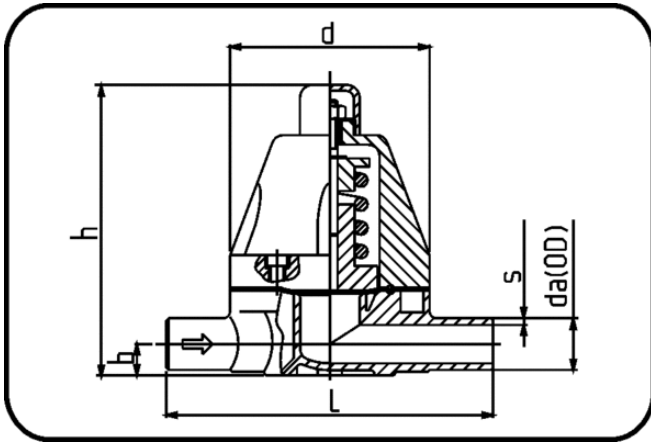


Valves



Code: 244

- Pressure retaining valve V186
- PTFE diaphragm
- injection moulded
- **Butt + IR-welding**
- **PP Pure grey**

Dimension	Code	Detail	da(OD) mm	s mm	L mm	d mm	h mm	b mm	Weight
20	72.244.0020.11	20 - SDR11 MOP 10 bar	20	1,9	158	83	137	20	0.38
25	72.244.0025.11	25 - SDR11 MOP 10 bar	25	2,3	158	83	137	20	0.37
32	72.244.0032.11	32 - SDR11 MOP 10 bar	32	2,9	198	112	199	27	1.04
40	72.244.0040.11	40 - SDR11 MOP 10 bar	40	3,7	202	112	199	27	1.03
50	72.244.0050.11	50 - SDR11 MOP 10 bar	50	4,6	256	165	290	43	4.74
63	72.244.0063.11	63 - SDR11 MOP 10 bar	63	5,8	256	165	290	43	4.64