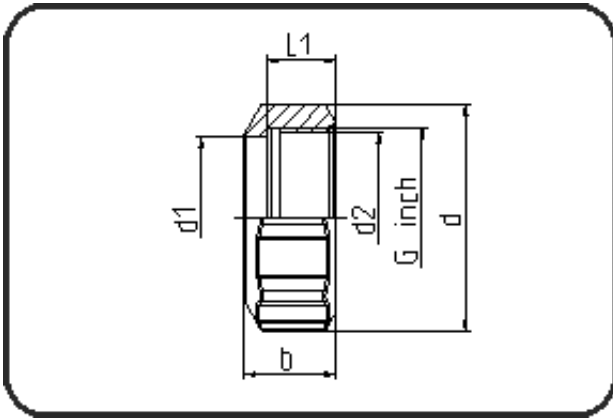


## Fittings



Code: 024.8

- **Union nut**
- spare part Union 024-A
- injection moulded
- **PVDF UHP natural**

Dimension	Code	Detail	Weight
32	35.024.8032.21	32 - G 1 1/2"	0.04

	Unit	Nominale	Tol+	Tol-
da(OD)	mm	32	0.00	0.00
L1	mm	20,5	0.50	0.50
G	inch	1,5	0.00	0.00
b	mm	27	0.50	0.50
d	mm	60	1.00	1.00
d1	mm	41,5	0.30	0.00
d2	mm	44,845	0.64	0.00