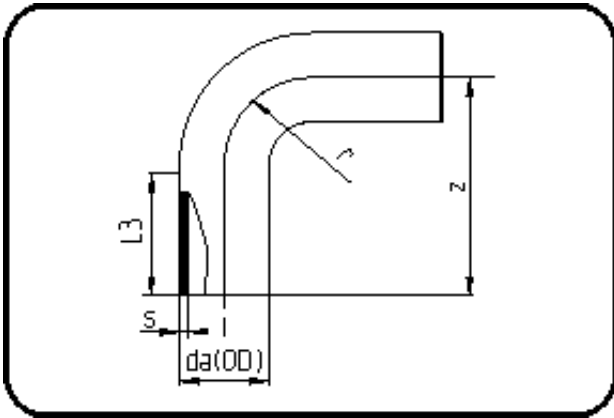


## MULTI Fittings



Code: 068

- **MULTI-Bend 90°**
- long spigot
- injection moulded
- **Butt + IR-welding**
- **PP natural**

Dimension	Code	Detail	Weight
25	16.068.0025.11	25X2,3 SDR11 ISO S-5	0.02

	Unit	Nominale	Tol+	Tol-
da(OD)	mm	25	0.30	0.00
L3	mm	42,5	3.00	3.00
r	mm	25	0.00	0.00
s	mm	2,3	0.50	0.00
z	mm	68,5	4.50	4.50