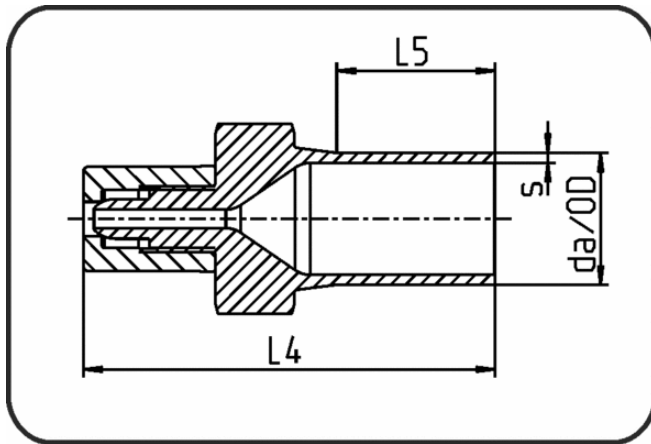


Fittings



Code: 047

- Transition Fitting
- PP Pure grey to PFA
- injection moulded
- **Butt+IR-welding, Flare LINK**
- PP Pure grey

Dimension	Code	Detail	da(OD) mm	s mm	L4 mm	L5 mm	da inch	Weight
20	72.047.2014.11	20X1/4" SDR11 MOP 10 bar	20	1,9	81	30	0,25	0.02
20	72.047.2038.11	20X3/8" SDR11 MOP 10 bar	20	1,9	84	30	0,375	0.02
20	72.047.2012.11	20X1/2" SDR11 MOP 10 bar	20	1,9	86	30	0,5	0.02
20	72.047.2034.11	20X3/4" SDR11 MOP 10 bar	20	1,9	90	30	0,75	0.03
25	72.047.2514.11	25X1/4" SDR11 MOP 10 bar	25	2,3	81	30	0,25	0.02
25	72.047.2538.11	25X3/8" SDR11 MOP 10 bar	25	2,3	85	30	0,375	0.02
25	72.047.2512.11	25X1/2" SDR11 MOP 10 bar	25	2,3	87	30	0,5	0.03
25	72.047.2534.11	25X3/4" SDR11 MOP 10 bar	25	2,3	90	30	0,75	0.03
25	72.047.2501.11	25X1" SDR11 MOP 10 bar	25	2,3	98	30	1	0.13
32	72.047.3212.11	32X1/2" SDR11 MOP 10 bar	32	3	87	30	0,5	0.04
32	72.047.3234.11	32X3/4" SDR11 MOP 10 bar	32	3	91	30	0,75	0.05
32	72.047.3201.11	32X1" SDR11 MOP 10 bar	32	3	98	30	1	0.09