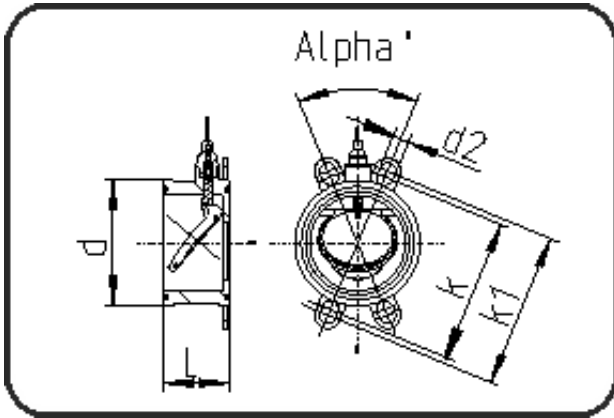


## Valves



Code: 258

- Swing check valve K4 + Spring
- FPM-sealing
- Flange connection DIN/ANSI/JIS
- PP Pure grey

Dimension	Code	Detail	Weight
110	72.258.0110.17	DN 100 da 110 MOP 6 bar	0.43

	Unit	Nominale	Tol+	Tol-
da(OD)	mm	110	1.00	0.00
L	mm	80	0.75	0.75
k1	mm	191	0.75	0.75
DN	mm	100	0.00	0.00
d	mm	155	0.75	0.75
alph	[°]	45	0.75	0.75
d2	mm	20	0.75	0.75
k	mm	175	0.75	0.75