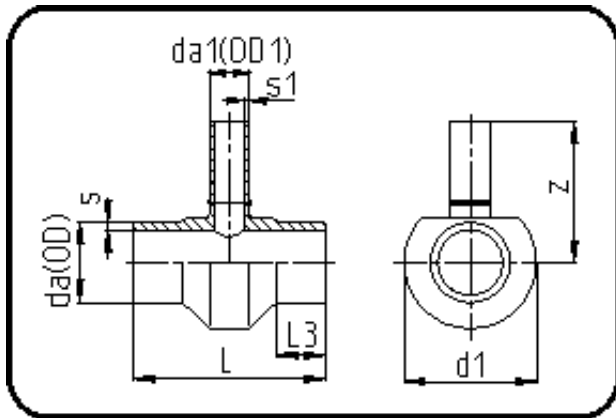


## Fittings



Code: 307

- Tee reduced
- machined
- Butt + IR-welding
- PVDF UHP natural

Dimension	Code	Detail	Weight
140/63	35.307.1463.31	140/63 SDR33/21 MOP 10 bar	1.66

	Unit	Nominale	Tol+	Tol-
da(OD)	mm	140	0.80	0.00
L	mm	210	2.00	2.00
L3	mm	50	1.00	1.00
s	mm	4,3	0.70	0.00
d1	mm	150	1.50	1.50
s1	mm	3	0.60	0.00
da(OD1)	mm	63	0.40	0.00
z	mm	182	6.00	6.00