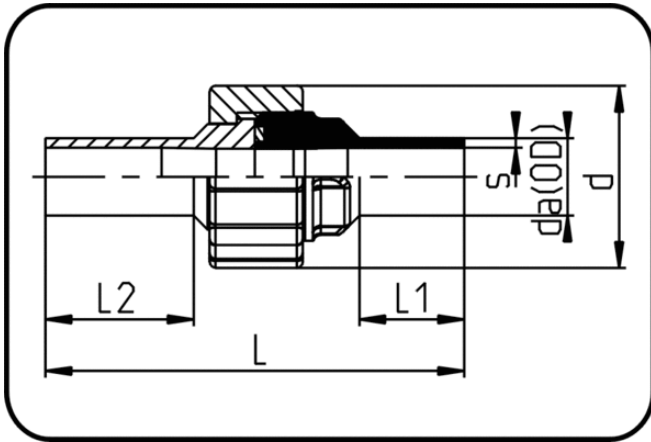


Fittings



Code: 024

- Union Type 24
- FPM-sealing with FDA Approval
- injection moulded
- **Butt + IR-welding**
- **PP natural**

Dimension	Code	Detail	da(OD) mm	s mm	L mm	L1 mm	L2 mm	d mm	Weight
20	16.024.0020.11	20X1,9 SDR11 ISO S-5	20	1,9	108	24	38	47	0.05
25	16.024.0025.11	25X2,3 SDR11 ISO S-5	25	2,3	114	24	39	57	0.08
32	16.024.0032.11	32X2,9 SDR11 ISO S-5	32	2,9	121	25	39	64	0.11
40	16.024.0040.11	40X3,7 SDR11 ISO S-5	40	3,7	126	25	42	78	0.17
50	16.024.0050.11	50X4,6 SDR11 ISO S-5	50	4,6	133	25	44	89	0.24
63	16.024.0063.11	63X5,8 SDR11 ISO S-5	63	5,8	138	25	44	109	0.39