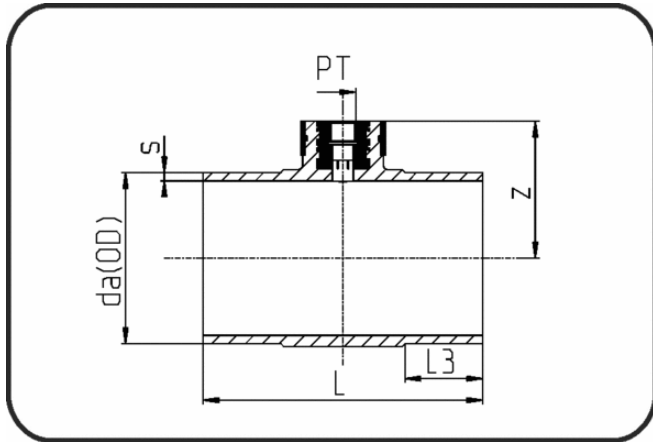


Fittings



Code: 220

- **Sampling Tee**
- with PT-female thread
- injection moulded
- **Butt + IR-welding**
- **PVDF UHP natural**

Dimension	Code	Detail	da(OD) mm	s mm	z mm	L mm	L3 mm	PT inch	Weight
32	35.220.3216.21	32X3/8" PT SDR21 ISO S-10	32	2,4	48	126	30	0,375	0.19
40	35.220.4016.21	40X3/8" PT SDR21 ISO S-10	40	2,4	58	126	30	0,375	0.20
50	35.220.5016.21	50X3/8" PT SDR21 ISO S-10	50	3	58	126	30	0,375	0.21
63	35.220.6316.21	63X3/8" PT SDR21 ISO S-10	63	3	64,5	139	30	0,375	0.30
63	35.220.6332.21	63X1" PT SDR21 ISO S-10	63	3	64,5	139	30	1	0.37
75	35.220.7516.21	75X3/8" PT SDR21 ISO S-10	75	3,6	70,5	178	42	0,375	0.44
75	35.220.7520.21	75X1/2" PT SDR21 ISO S-10	75	3,6	70,5	178	42	0,5	0.43
90	35.220.9016.21	90X3/8" PT SDR21 ISO S-10	90	4,3	78	180	50	0,375	0.59
90	35.220.9020.21	90X1/2" PT SDR21 ISO S-10	90	4,3	78	180	50	0,5	0.57
90	35.220.9025.21	90X3/4" PT SDR21 ISO S-10	90	4,3	78	180	50	0,75	0.53
90	35.220.9032.21	90X1" PT SDR21 ISO S-10	90	4,3	78	180	50	1	0.65
110	35.220.1116.21	110X3/8" PT SDR21 ISO S-10	110	5,3	88	180	50	0,375	0.79
110	35.220.1120.21	110X1/2" PT SDR21 ISO S-10	110	5,3	88	180	50	0,5	0.78
110	35.220.1125.21	110X3/4" PT SDR21 ISO S-10	110	5,3	88	180	50	0,75	0.83
110	35.220.1132.21	110X1" PT SDR21 ISO S-10	110	5,3	88	180	50	1	0.86
140	35.220.1416.21	140X3/8" PT SDR21 ISO S-10	140	6,7	103	180	50	0,375	1.14
140	35.220.1420.21	140X1/2" PT SDR21 ISO S-10	140	6,7	103	180	50	0,5	1.18
140	35.220.1425.21	140X3/4" PT SDR21 ISO S-10	140	6,7	103	180	50	0,75	1.27
140	35.220.1432.21	140X1" PT SDR21 ISO S-10	140	6,7	103	180	50	1	1.20
160	35.220.1616.21	160X3/8" PT SDR21 ISO S-10	160	7,7	113	180	50	0,375	1.52
160	35.220.1620.21	160X1/2" PT SDR21 ISO	160	7,7	113	180	50	0,5	1.52

Dimension	Code	Detail	da(OD) mm	s mm	z mm	L mm	L3 mm	PT inch	Weight
		S-10							
160	35.220.1625.21	160X3/4" PT SDR21 ISO S-10	160	7,7	113	180	50	0,75	1.61
160	35.220.1632.21	160X1" PT SDR21 ISO S-10	160	7,7	113	180	50	1	1.56
225	35.220.2216.21	225X3/8" PT SDR21 ISO S-10	225	10,8	145,5	180	50	0,375	2.83
225	35.220.2220.21	225X1/2" PT SDR21 ISO S-10	225	10,8	145,5	180	50	0,5	2.87
225	35.220.2225.21	225X3/4" PT SDR21 ISO S-10	225	10,8	145,5	180	50	0,75	2.90
225	35.220.2232.21	225X1" PT SDR21 ISO S-10	225	10,8	145,5	180	50	1	2.92
280	35.220.2816.21	280X3/8" PT SDR21 ISO S-10	280	13,4	173	180	50	0,375	4.38
280	35.220.2820.21	280X1/2" PT SDR21 ISO S-10	280	13,4	173	180	50	0,5	4.37
280	35.220.2825.21	280X3/4" PT SDR21 ISO S-10	280	13,4	173	180	50	0,75	4.47
280	35.220.2832.21	280X1" PT SDR21 ISO S-10	280	13,4	173	180	50	1	4.42