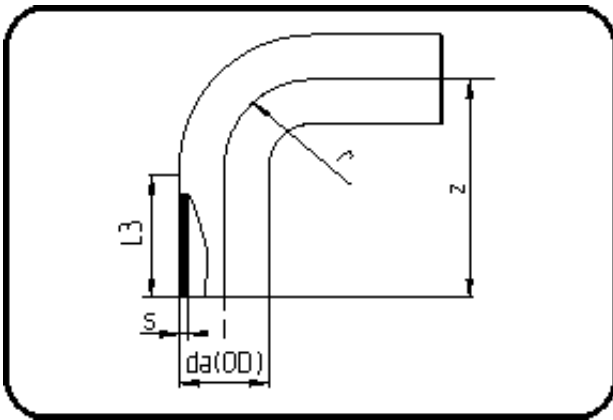


## MULTI Fittings



Code: 068

- **MULTI-Bend 90°**
- long spigot
- injection moulded
- **Butt + IR-welding**
- **PP Pure grey**

Dimension	Code	Detail	Weight
20	72.068.0020.11	20X1,9 SDR11 ISO S-5	0.01

	Unit	Nominale	Tol+	Tol-
da(OD)	mm	20	0.30	0.00
L3	mm	40	3.00	3.00
r	mm	20	0.00	0.00
s	mm	1,9	0.30	0.00
z	mm	60	4.50	4.50