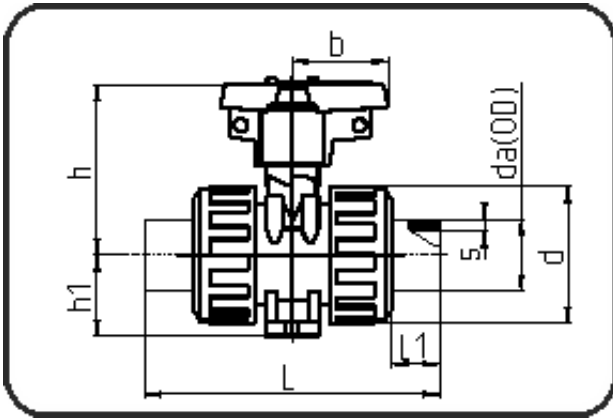


Valves



Code: 363.15

- **Ball Valve M1**
- FPM-sealing
- injection moulded
- **Butt + IR-welding**
- **PVDF UHP natural**

Dimension	Code	Detail	Weight
32	35.363.1532.21	32 - SDR21 ISO S-10	0.59

	Unit	Nominale	Tol+	Tol-
da(OD)	mm	32	0.30	0.00
L	mm	152	1.50	1.50
L1	mm	18	0.75	0.75
h1	mm	43,5	1.00	1.00
b	mm	51,5	0.00	0.00
DN	mm	25	0.00	0.00
s	mm	2,4	0.50	0.00
d	mm	73,5	0.75	0.75
p	bar	16	0.00	0.00
h	mm	85,5	0.75	0.75