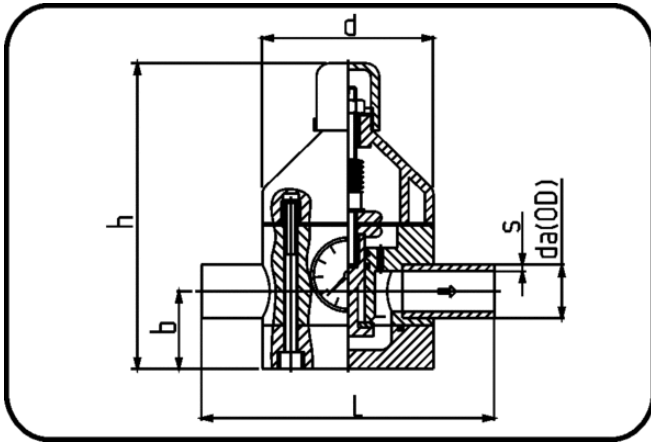


## Valves



Code: 241.1

- Pressure reducing valve V82
- with gauge guard/stainless
- Butt + IR-welding
- PP Pure grey

Dimension	Code	Detail	da(OD) mm	s mm	L mm	d mm	h mm	b mm	Weight
20	72.241.1020.11	20 - SDR11 MOP 10 bar	20	1,9	150	70	130	30	0.67
25	72.241.1025.11	25 - SDR11 MOP 10 bar	25	2,3	190	100	170	40	0.99
32	72.241.1032.11	32 - SDR11 MOP 10 bar	32	2,9	190	100	170	40	1.01
40	72.241.1040.11	40 - SDR11 MOP 10 bar	40	3,7	240	130	230	55	2.77
50	72.241.1050.11	50 - SDR11 MOP 10 bar	50	4,6	240	130	230	55	2.75
63	72.241.1063.11	63 - SDR11 MOP 10 bar	63	5,8	260	155	285	75	3.88
75	72.241.1075.11	75 - SDR11 MOP 6 bar	75	6,8	300	190	350	100	7.89