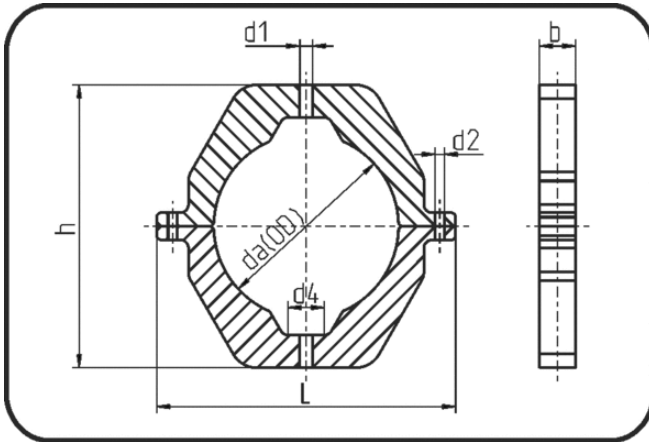


## Backing Rings, Accessories



Code: 348.8

- Pipe Clip
- 2 halves / without screws
- for restrained fitting
- machined
- **Installation Accessory**
- **PPR grey**

Dimension	Code	Detail	da(OD) mm	L mm	h mm	d1 mm	d2 mm	b mm	Weight
250	11.348.8250.00	250x80mm	250	380	362	14	10	80	3.30
280	11.348.8280.00	280x80mm	280	410	392	14	10	80	3.70
315	11.348.8315.00	315x80mm	315	445	432	14	10	80	4.00
400	11.348.8400.00	400x80mm	400	534	526	16	12	80	5.60
450	11.348.8450.00	450x80mm	450	584	578	16	12	80	6.40