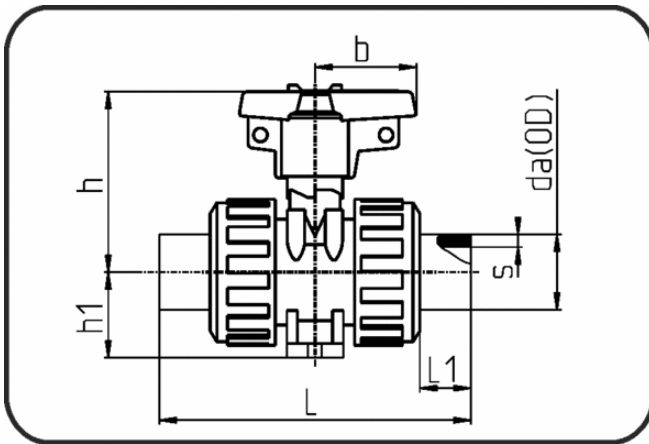


Valves



Code: 363.15

- **Ball Valve M1**
- FPM-sealing
- injection moulded
- **Butt + IR-welding**
- **PP Pure grey**

Dimension	Code	Detail	da(OD) mm	L mm	d mm	h mm	b mm	DN mm	Weight
20	72.363.1520.11	20 - SDR11 ISO S-5	20	124	58	71,5	40	15	0.18
25	72.363.1525.11	25 - SDR11 ISO S-5	25	145,5	68,5	78	51	20	0.27
32	72.363.1532.11	32 - SDR11 ISO S-5	32	156	75,5	80	51	25	0.35
40	72.363.1540.11	40 - SDR11 ISO S-5	40	172,5	92	98,5	63,5	32	0.56
50	72.363.1550.11	50 - SDR11 ISO S-5	50	191	108	113	73	40	0.84
63	72.363.1563.11	63 - SDR11 ISO S-5	63	223	127,5	113,5	84	50	1.26
75	72.363.1575.11	75 - SDR11 ISO S-5	75	275	160	151,5	110	63	2.51
90	72.363.1590.11	90 - SDR11 ISO S-5	90	292	196,5	167	132	80	4.42
110	72.363.1511.11	110 - SDR11 ISO S-5	110	316,5	196,5	167	132	100	4.51