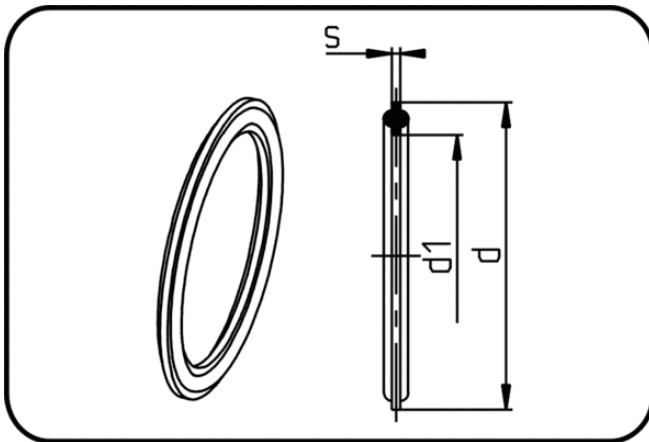


Backing Rings, Accessories



Code: 379

- Sealing f. San. Joint Fitting
- FPM-sealing HP

| Dimension | Code | Detail | da(OD) mm | s mm | d mm | d1 mm | Weight |
|-----------|----------------|----------------------|--------------|---------|---------|----------|--------|
| 20 | 88.379.0020.21 | 50,5x18,1 (ISO 1127) | 20 | 1,8 | 50,5 | 18,1 | 0.01 |
| 25 | 88.379.0025.21 | 50,5x22,4 (ISO 2852) | 25 | 1,8 | 50,5 | 22,4 | 0.02 |
| 32 | 88.379.0032.21 | 50,5x29,9 (ISO 1127) | 32 | 1,8 | 50,5 | 29,9 | 0.01 |
| 40 | 88.379.0040.21 | 64,0x38,4 (ISO 1127) | 40 | 1,8 | 64 | 38,4 | 0.02 |
| 50 | 88.379.0050.21 | 64,0x44,2 (ISO 1127) | 50 | 1,8 | 64 | 44,2 | 0.02 |
| 63 | 88.379.0063.21 | 77,5x60,3 (ISO 2852) | 63 | 1,8 | 77,5 | 60,3 | 0.02 |