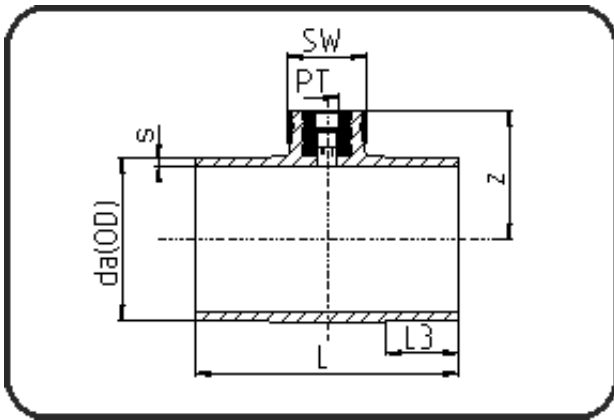


## Fittings



Code: 220

- **Sampling Tee**
- with PT-female thread
- injection moulded
- **Butt + IR-welding**
- **PP Pure grey**

Dimension	Code	Detail	Weight
90	72.220.9016.11	90X3/8" PT SDR11 ISO S-5	0.50

	Unit	Nominale	Tol+	Tol-
da(OD)	mm	90	0.90	0.00
L	mm	180	3.00	3.00
PT	inch	0,375	0.00	0.00
SW	mm	55	1.00	1.00
L3	mm	50	1.50	1.50
s	mm	8,2	1.00	0.00
E	mm	16,66	0.00	0.00
K	mm	14,95	0.00	0.00
z	mm	78	3.00	3.00