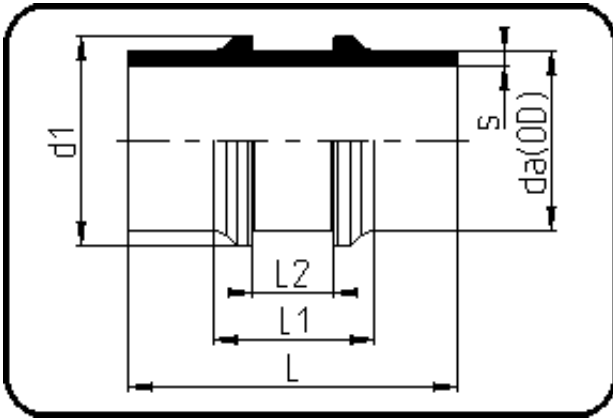


Fittings



Code: 301

- **Restrained Fitting**
- machined
- **Butt + IR-welding**
- **PVDF UHP natural**

Dimension	Code	Detail	Weight
40	35.301.0040.21	40X2,4 SDR 21/ISO-S10	0.07

	Unit	Nominale	Tol+	Tol-
da(OD)	mm	40	0.40	0.00
L	mm	120	1.00	1.00
L1	mm	68	0.50	0.50
L2	mm	33	0.50	0.00
s	mm	2,4	0.50	0.00
d1	mm	48	0.00	0.50