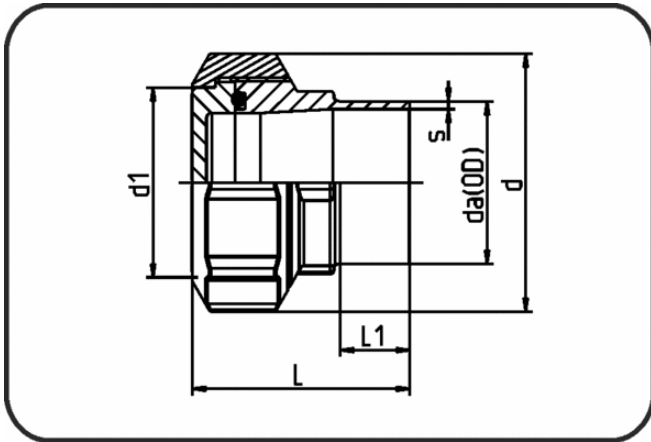


## Fittings



Code: 024.9

- **Union connection Type 24-A w.**
- blind cap green, FPM-sealing
- FPM-sealing with FDA Approval
- injection moulded
- **Butt + IR + HPF-welding**
- **PVDF UHP natural**

Dimension	Code	Detail	da(OD) mm	s mm	L mm	L1 mm	d1 mm	d mm	Weight
20	35.024.9020.21	20X1,0 SDR21 ISO S-10	20	1,9	65	27	27,3	43	0.06
25	35.024.9025.21	25X1,2 SDR21 ISO S-10	25	1,9	68,5	27	35,7	53	0.09
32	35.024.9032.21	32X1,6 SDR21 ISO S-10	32	2,4	75	27	41,5	60	0.12
40	35.024.9040.21	40X1,9 SDR21 ISO S-10	40	2,4	75	27	52,6	75	0.21
50	35.024.9050.21	50X2,4 SDR21 ISO S-10	50	3	82	27	58,6	82	0.26
63	35.024.9063.21	63X3,0 SDR21 ISO S-10	63	3	84,5	27	73,6	100	0.41