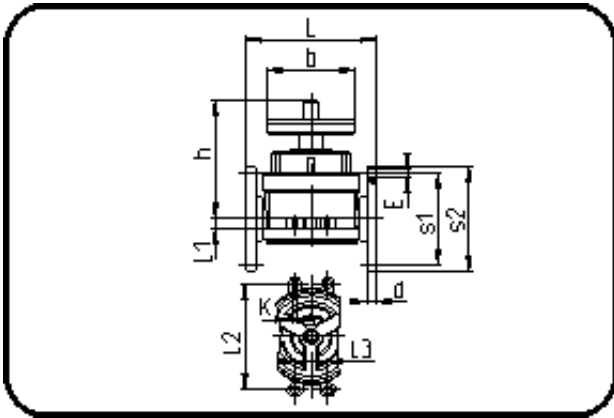


Valves



Code: 342.20

- Diaphragm Valve
- manually controlled
- EPDM/PTFE diaphragm
- Flange connection
- PVDF UHP natural

Dimension	Code	Detail	Weight
140	35.342.2014.21	140 - MOP 10 bar DIN	15.00

	Unit	Nominale	Tol+	Tol-
L	mm	400	3.00	3.00
Kv-I	min	3.980	0.00	0.00
s2	mm	248	1.50	1.50
s1	mm	210	0.00	0.00
da(OD)	mm	140	0.00	0.00
L1	mm	25	0.75	0.75
L3	mm	85	0.00	0.00
L2	mm	280	0.75	0.75
b	mm	234	0.00	0.00
DN	mm	125	0.00	0.00
d	mm	35	0.00	0.00
E	mm	M20	0.00	0.00
h	mm	320	0.00	0.00
K	mm	M12	0.00	0.00
da	inch	5	0.00	0.00