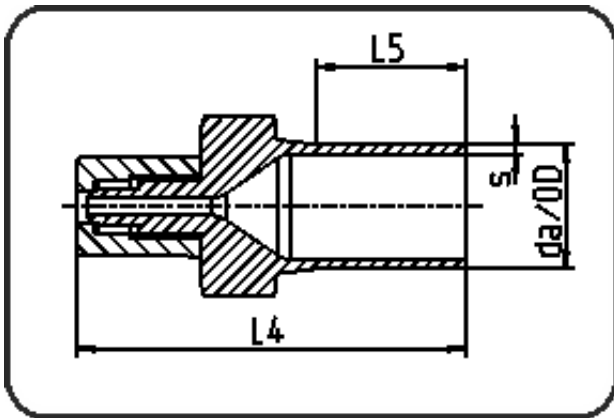


Fittings



Code: 047

- Transition Fitting
- PP Pure grey to PFA
- injection moulded
- **Butt+IR-welding, Flare LINK**
- PP Pure grey

Dimension	Code	Detail	Weight
32	72.047.3201.11	32X1" SDR11 MOP 10 bar	0.09

	Unit	Nominale	Tol+	Tol-
da(OD)	mm	32	0.30	0.00
L5	mm	30	2.00	2.00
L4	mm	98	3.00	3.00
s	mm	3	0.30	0.00
da	inch	1	0.00	0.00