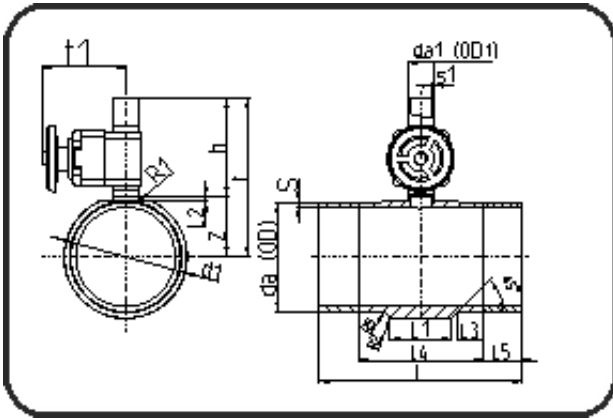


## Valves



Code: 240

- T-Diaphragm Valve
- manually controlled
- EPDM/PTFE diaphragm
- machined
- **Butt + IR-welding**
- **PP Pure grey**

Dimension	Code	Detail	Weight
110/63	72.240.1163.11	110/63 - SDR11 MOP 10 bar	3.18

	Unit	Nominale	Tol+	Tol-
L	mm	210	2.00	2.00
s	mm	10	1.10	0.00
t	mm	249	6.00	6.00
t1	mm	144	1.00	1.00
s1	mm	5,8	0.70	0.00
z	mm	65	1.00	1.00
da(OD)	mm	110	1.00	0.00
L1	mm	50	1.00	1.00
L3	mm	62,5	1.00	1.00
L2	mm	7	1.00	1.00
L5	mm	0	1.00	1.00
L4	mm	210	1.00	1.00
d1	mm	145	1.00	1.00
h	mm	102	0.00	0.00
da(OD1)	mm	63	0.60	0.00