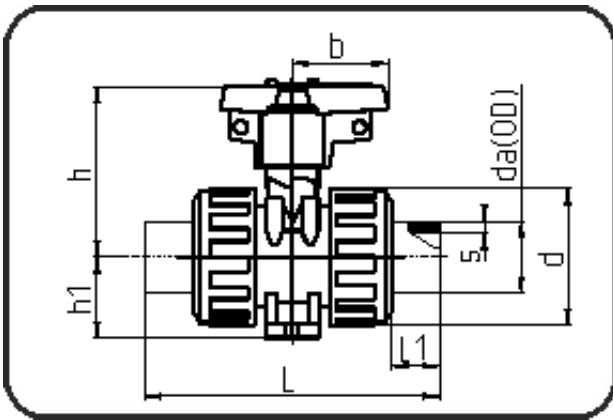


## Valves



Code: 363.15

- Ball Valve M1
- FPM-sealing
- injection moulded
- **Butt + IR-welding**
- PP Pure grey

Dimension	Code	Detail	Weight
50	72.363.1550.11	50 - SDR11 ISO S-5	0.84

	Unit	Nominale	Tol+	Tol-
da(OD)	mm	50	0.00	0.00
L	mm	191	4.50	4.50
L1	mm	23,5	0.75	0.75
h1	mm	56,5	0.75	0.75
b	mm	73	0.75	0.75
DN	mm	40	0.00	0.00
s	mm	4,6	0.60	0.00
d	mm	108	0.75	0.75
p	bar	10	0.00	0.00
h	mm	113	0.75	0.75