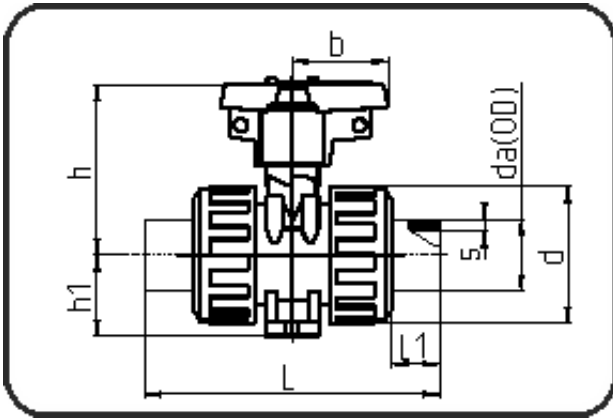


Valves



Code: 363.15

- Ball Valve M1
- FPM-sealing
- injection moulded
- **Butt + IR-welding**
- PVDF UHP natural

Dimension	Code	Detail	Weight
75	35.363.1575.21	75 - SDR21 ISO S-10	4.28

	Unit	Nominale	Tol+	Tol-
da(OD)	mm	75	0.00	0.00
L	mm	278	1.50	1.50
L1	mm	31,5	1.50	1.50
h1	mm	85	1.00	1.00
b	mm	110	0.75	0.75
DN	mm	63	0.00	0.00
s	mm	3,6	0.00	0.00
d	mm	157,5	0.75	0.75
p	bar	16	0.00	0.00
h	mm	151,5	0.75	0.75