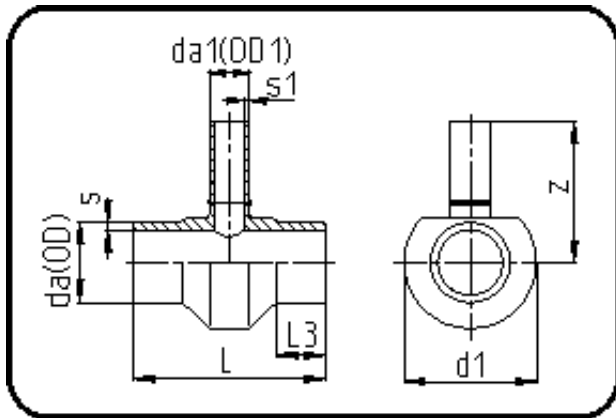


Fittings



Code: 307

- Tee reduced
- machined
- Butt + IR-welding
- PVDF UHP natural

Dimension	Code	Detail	Weight
140/110	35.307.1411.21	140/110 SDR21 ISO S-10	3.02

	Unit	Nominale	Tol+	Tol-
da(OD)	mm	140	0.80	0.00
L	mm	230	3.00	3.00
L3	mm	42	1.50	1.50
s	mm	6,7	0.90	0.00
d1	mm	178	1.50	1.50
s1	mm	5,3	0.80	0.00
da(OD1)	mm	110	0.50	0.00
z	mm	182	9.00	9.00