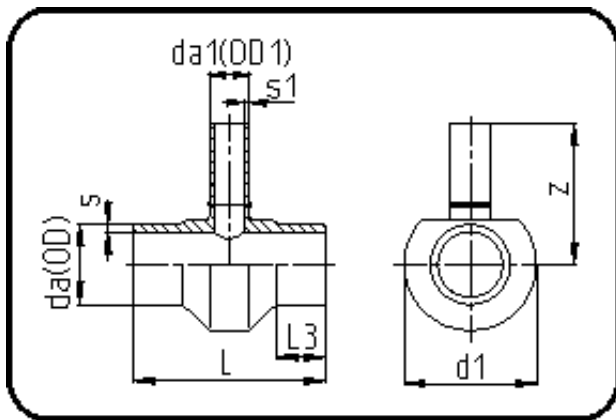


Fittings



Code: 307

- Tee reduced
- machined
- Butt + IR-welding
- PVDF UHP natural

Dimension	Code	Detail	Weight
225/160	35.307.2216.33	225/160 SDR33 ISO S-16	6.88

	Unit	Nominale	Tol+	Tol-
da(OD)	mm	225	1.40	0.00
L	mm	280	3.00	3.00
L3	mm	39	1.50	1.50
s	mm	6,9	0.90	0.00
d1	mm	275	3.00	3.00
s1	mm	4,9	0.70	0.00
da(OD1)	mm	160	1.00	0.00
z	mm	227,5	15.00	15.00