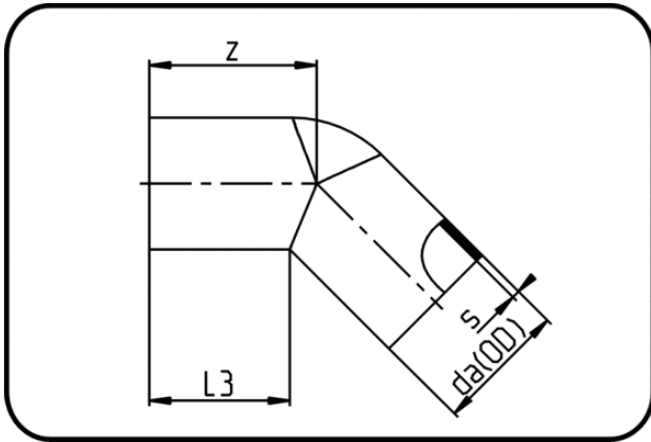


Fittings



Code: 060

- Elbow 45°
- long spigot
- injection moulded
- **Butt + IR-welding**
- **AGRU-Vent PVDF**

Dimension	Code	Detail	da(OD) mm	s mm	z mm	L3 mm	Weight
110	34.060.0110.33	110X3,4 SDR33 ISO S-16	110	3,4	68	45	0.31
63	34.060.0063.21	63X3,0 SDR21 ISO S-10	63	3	75	62	0.18