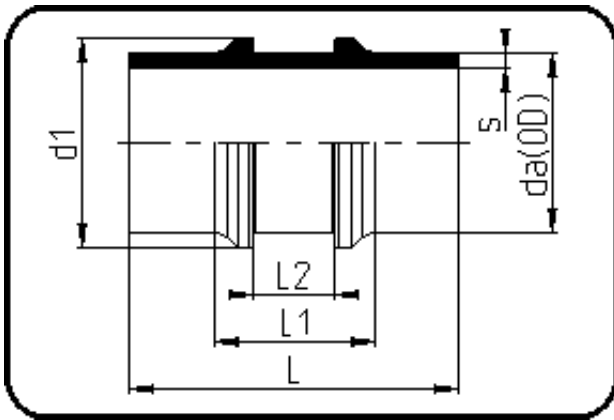


Fittings



Code: 301

- **Restrained Fitting**
- machined
- **Butt + IR-welding**
- **PP Pure grey**

Dimension	Code	Detail	Weight
125	72.301.0125.11	125X11,4 SDR11 ISO S-5	0.75

	Unit	Nominale	Tol+	Tol-
da(OD)	mm	125	0.50	0.00
L	mm	160	1.50	1.50
L1	mm	100	1.50	1.50
L2	mm	61	0.75	0.00
s	mm	11,4	1.30	0.00
d1	mm	143	0.75	0.75