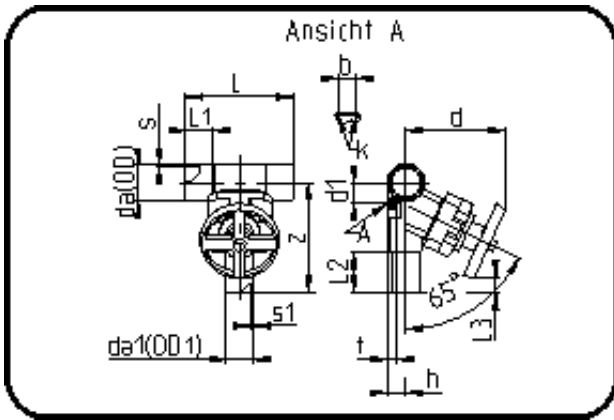


Valves



Code: 343

- T-Diaphragm Valve
- manually controlled
- EPDM/PTFE diaphragm
- Butt + IR + HPF-welding
- PVDF UHP natural

Dimension	Code	Detail	Weight
110/63	35.343.1163.31	110/63 - SDR33/21 MOP 10 bar	3.59

	Unit	Nominale	Tol+	Tol-
L	mm	210	1.50	1.50
cv	gal	43,61	0.00	0.00
s	mm	3,4	0.60	0.00
t	mm	75	1.50	1.50
Kv-I	min	623	0.00	0.00
s1	mm	3	0.60	0.00
z	mm	267	1.50	1.50
da(OD)	mm	110	0.50	0.00
L1	mm	33	0.75	0.75
L3	mm	50	1.50	1.50
L2	mm	100	0.75	0.75
b	mm	45	0.00	0.00
DN	mm	100	0.00	0.00
d	mm	199	3.00	3.00
d1	mm	72	1.50	1.50
da1	inch	2	0.00	0.00
h	mm	56,5	0.75	0.75
K	mm	M8	0.00	0.00
da(OD1)	mm	63	0.40	0.00
DN2	mm	50	0.00	0.00
da	inch	4	0.00	0.00