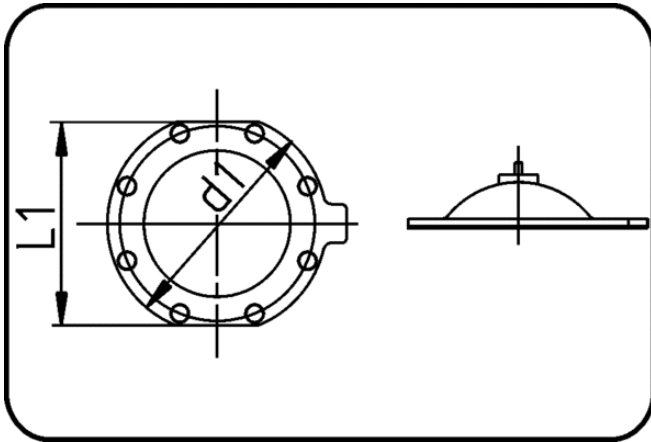


Backing Rings, Accessories



Code: 88.342.1

- Replacement Diaphragm
- for Diaphragm Valve
- hand-operated
- EPDM/PTFE

Dimension	Code	Detail	L1 mm	d1 mm	Weight
75,90	88.342.7590.00	75,90	142,5	171,6	0.35
110,140	88.342.1114.00	110,140	134,1	145,5	0.72