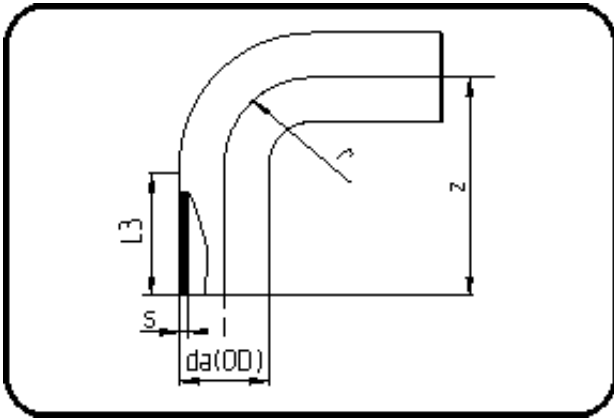


MULTI Fittings



Code: 068

- **MULTI-Bend 90°**
- long spigot
- injection moulded
- **Butt + IR-welding**
- **PP Pure grey**

Dimension	Code	Detail	Weight
180	72.068.0180.11	180X16,4 SDR11 ISO S-5	4.31

	Unit	Nominale	Tol+	Tol-
da(OD)	mm	180	1.70	0.00
L3	mm	109	6.00	6.00
r	mm	180	0.00	0.00
s	mm	16,4	1.80	0.00
z	mm	290,5	7.50	7.50