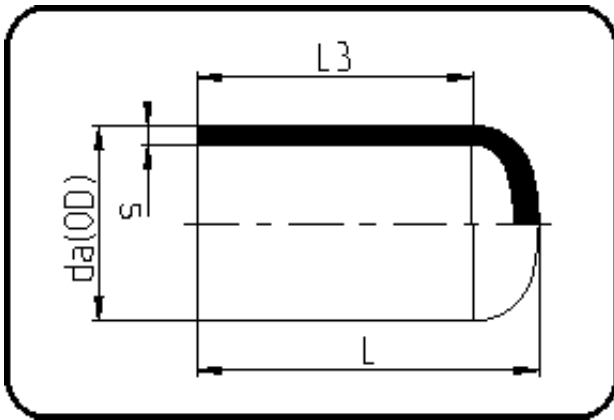


## Fittings



Code: 064

- End Cap
- long spigot
- injection moulded
- **Butt + IR-welding**
- **PP Pure grey**

Dimension	Code	Detail	Weight
200	72.064.0200.11	200X18,2 SDR11 ISO S-5	2.06

	Unit	Nominale	Tol+	Tol-
da(OD)	mm	200	1.80	0.00
L	mm	181	2.25	2.25
L3	mm	127	2.25	2.25
s	mm	18,2	2.00	0.00