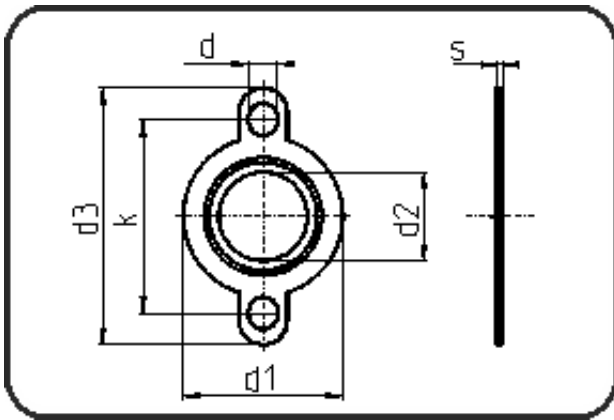


Seal Clean Gaskets



Code: 372.4

- Seal Clean Gasket
- ANSI
- for AGRU PE/PP flanges
- Flange connection
- ePTFE white

Dimension	Code	Detail	Weight
160	88.372.4160.11	160 - SDR11 ANSI	0.06

	Unit	Nominale	Tol+	Tol-
s	mm	3	0.50	0.50
d	mm	22	1.00	0.00
d1	mm	212	1.50	1.50
d3	mm	279,3	1.50	1.50
d2	mm	129,8	1.00	1.00
k	mm	241,3	1.00	1.00