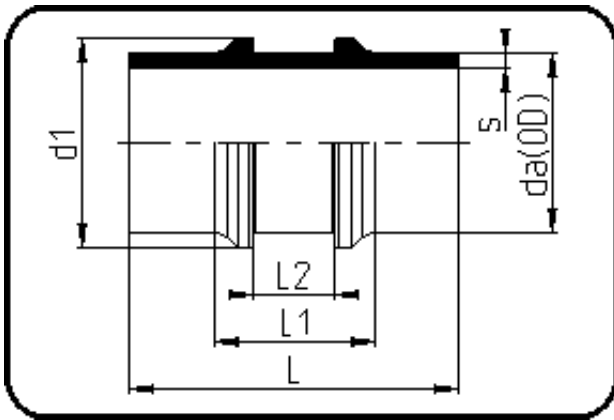


Fittings



Code: 301

- **Restrained Fitting**
- machined
- **Butt + IR-welding**
- **PP Pure grey**

Dimension	Code	Detail	Weight
20	72.301.0020.11	20X1,9 SDR11 ISO S-5	0.02

	Unit	Nominale	Tol+	Tol-
da(OD)	mm	20	0.30	0.00
L	mm	120	1.50	1.50
L1	mm	53	1.50	1.50
L2	mm	32,5	0.75	0.00
s	mm	1,9	0.30	0.00
d1	mm	28	0.75	0.75