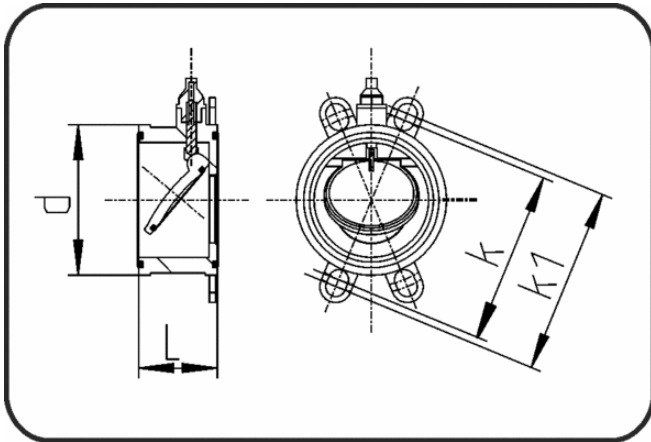


## Valves



Code: 258

- Swing check valve K4 + Spring
- FPM-sealing
- Flange connection DIN/ANSI/JIS
- PP Pure grey

Dimension	Code	Detail	da(OD) mm	DN mm	L mm	d mm	k mm	k1 mm	Weight
75	72.258.0075.17	DN 65 da 75 MOP 6 bar	75	65	63	115	139	145	0.29
90	72.258.0090.17	DN 80 da 90 MOP 6 bar	90	80	71	128	150	160	0.40
110	72.258.0110.17	DN 100 da 110 MOP 6 bar	110	100	80	155	175	191	0.43
160	72.258.0160.17	DN 150 da 160 MOP 6 bar	160	150	106	212	234	242	1.45
225	72.258.0225.17	DN 200 da 225 MOP 6 bar	225	200	140	264	290	299	2.65
280	72.258.0280.17	DN 250 da 280 MOP 6 bar	280	250	140	325	350	362	4.24