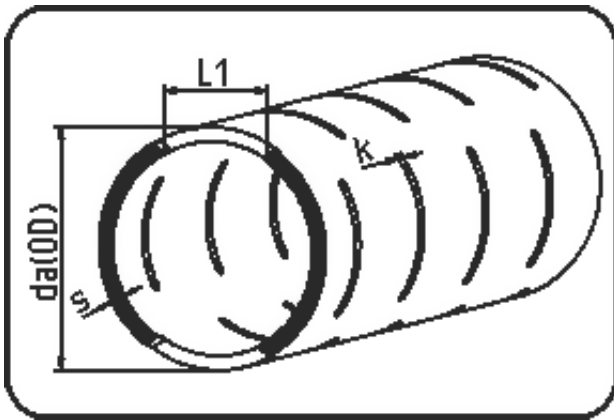


## Drainage Pipes



Code: 733

- Drainage Pipe 12m
- fully slotted
- extruded+slotted
- PE 100 black

Not available from stock - delivery time on request.

Dimension	Code	Detail	Weight
280	25.733.0280.11	280X25,4 SDR11 ISO S-5	20.50

	Unit	Nominale	Tol+	Tol-
da(OD)	mm	280	0.40	0.00
L1	mm	72	4.50	4.50
s	mm	25,4	0.70	0.00
K	mm	4/6/8/10	10.00	8.50