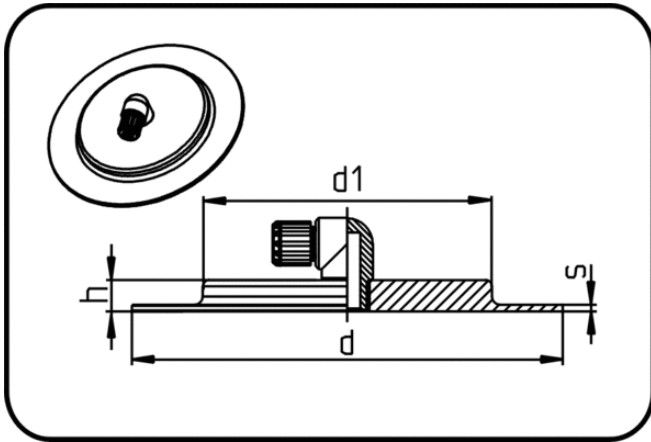


Accessories



Code: 041.4

- Grouting Plate
- with PP-elbow
- injection moulded
- **Extrusion-welding**
- PE natural

Dimension	Code	Detail	s mm	d mm	d1 mm	h mm	Weight
3,0	29.041.4000.00	205X3,0mm	3,2	205	137	14,9	0.28