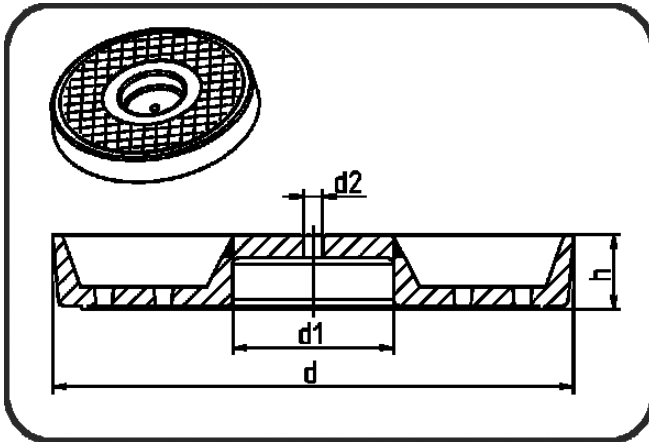


## INDUKTOFIX



Code: 039.3

- Induktofix Disc
- Mounting accessory
- 3mm hole
- injection moulded
- Induction welding
- VLDPE natural

Dimension	Code	Detail	d mm	d1 mm	d2 mm	h mm	Weight
80	60.039.3080.32	80/32mm	81	3	25	11,5	0.02