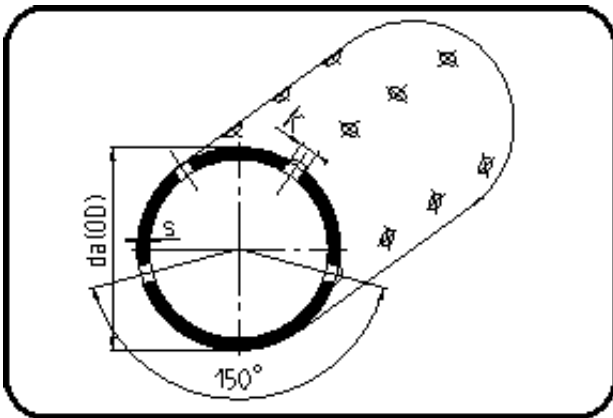


## Drainage Pipes



Code: 730

- Drainage Pipe 12m
- 2/3 perforated
- extruded+drilled
- PE 100 black

Not available from stock - delivery time on request.

Dimension	Code	Detail	Weight
75	25.730.0075.07	75X10,3 SDR7,4 ISO S-3,2	2.12

	Unit	Nominale	Tol+	Tol-
da(OD)	mm	75	0.40	0.00
L3	mm	67	3.00	3.00
L4	mm	80	30.00	0.00
s	mm	10,3	1.20	0.00
numb	pc	4	0.00	0.00
K	mm	12	12.75	11.25